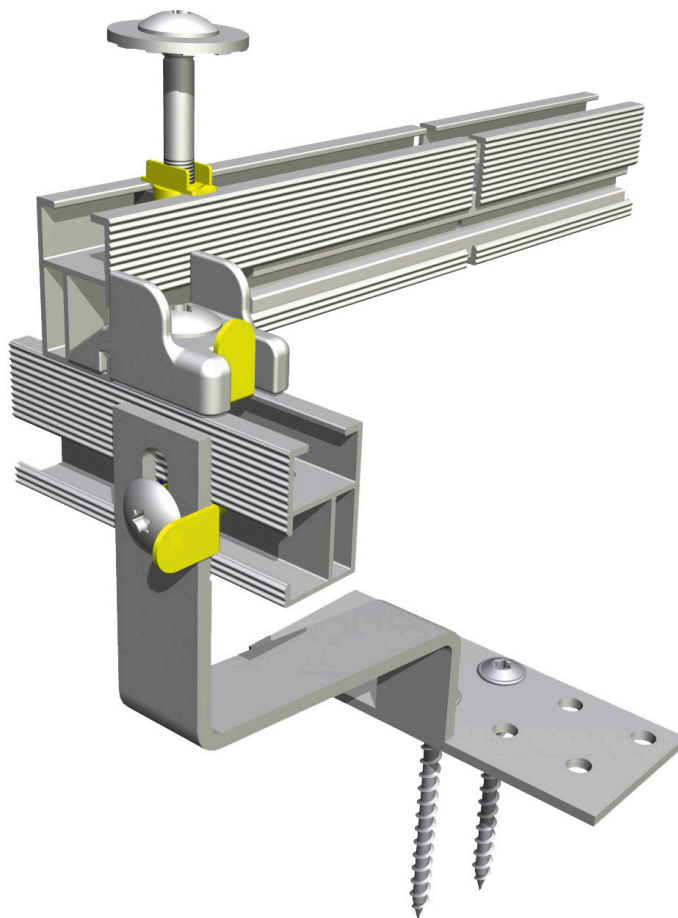


Sunfix plus



Flexibility: Thanks to a wide range of fastening options, Sunfix plus can be assembled on all common roof types. The single or dual-layer system can be applied on both flat and pitched roofs.

Efficiency: The frames and the connection elements in the Sunfix plus system are perfectly aligned with each other. Easily accessible screw connections and pre-assembled components such as module clamping ensure very short assembly times.

Durability: Sunfix plus is characterized by high-quality materials that ensure an exceptionally long service life of the system. The system's structural analysis is certified in accordance with Eurocode 1.

Sunfix plus

TECHNICAL DESCRIPTION

Mounting system for flat, slightly pitched and pitched roofs

Single and dual-layer system designs

Suitable for all conventional roof types:
tiled roofs
sheet metal roofs

Variable system, suitable for all roof dimensions

Average weight with roof-parallel arrangement:
approx. 5 kg/m² (single-layer system design)
approx. 7 kg/m² (dual-layer system design)

Field of application up to 5400 Pa snow load and 2400 Pa wind load
(according to maximum module load)

Flat roof frames with elevated angles of 15°, 20° and 30° available

Installation perpendicular to the roof pitch* on pitched roofs
with an inclination up to 20°

10 year product guarantee

DESIGN

Structural analysis certified according to Eurocode 1/DIN 1055

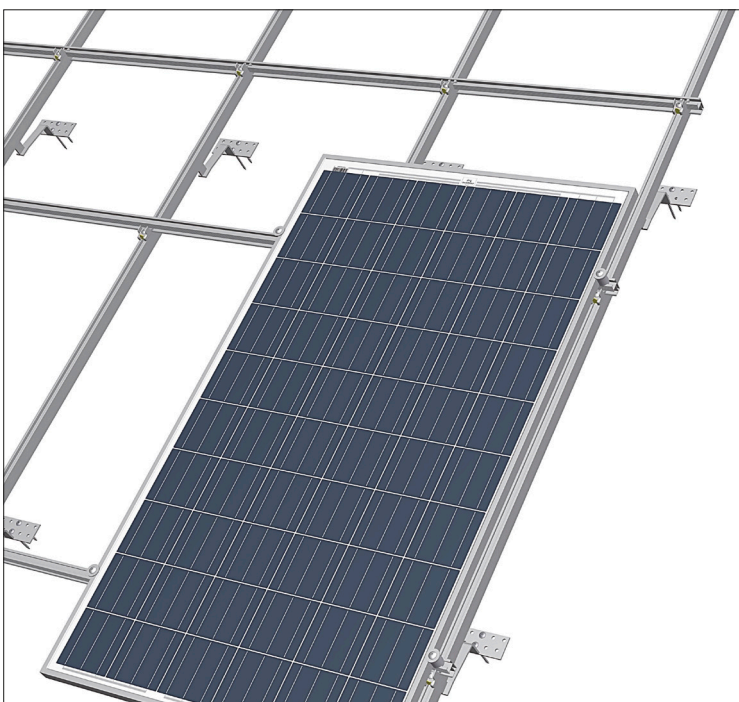
Light aluminum profile construction, aluminum and stainless steel
connecting elements, assembly aids and UV-resistant plastic
accessories.

Pre-assembled components for module clamps, connecting kits, and
triangular frames

Individual PV plant design for SolarWorld Sunkits according to system
questionnaire

Transport friendly and pre-assembled kit

* with module elevation



OFFICIAL STRUCTURAL ANALYSIS REVIEW BY



Henneker, Zillinger Ingenieure
Königswinterer Straße 329, 53227 Bonn
Fon (0228) 97194-0
Fax (0228) 97194-99
info@hzi-bonn.de

A handwritten signature in black ink, appearing to be 'H. Zillinger'.

CERTIFICATIONS PITCHED ROOF MOUNTING

