

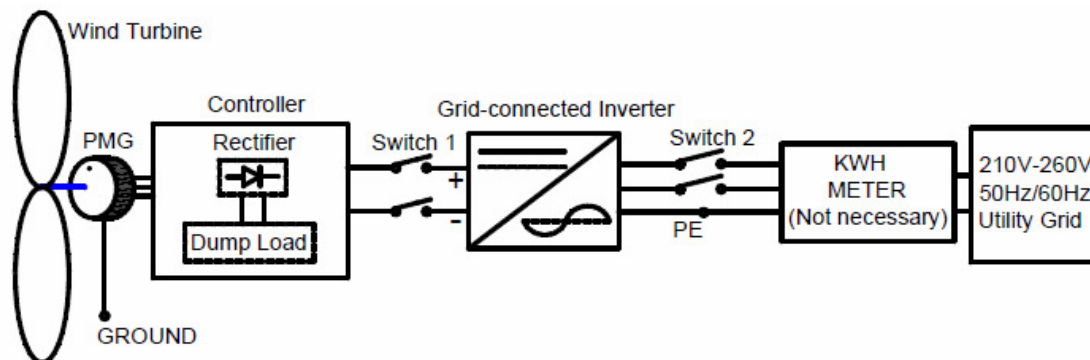
## Grid-Tie Wind Generator

### Model , GV-2000

#### Reduce or Eliminate Your Electricity Bill

Introducing GV-2000 – A new generation Residential Power Appliance that hooks up to your home to help you reduce or eliminate your monthly electricity costs.

GV-2000 was designed for homeowners looking for a quiet, convenient, affordable way to protect themselves from ever increasing electricity costs. It includes wind generator, controller with dump load and grid tie inverter. With no batteries, GV-2000 connects directly to your home. When the wind is blowing, your home is powered (in part) by GV-2000; when it's not, your home is seamlessly powered by your utility as usual.. If the wind speed is too large, part of the dump load will be connected to the wind turbine to keep the constant power to fed in the utility grid



## Picture of the wind turbine generator



## Generator Specification

Model	GV-2000
Rated Power	2 KW
Max Power	3 KW
DC output	240V
Start Wind Speed	3m/s
Rated Wind Speed	9 m/s
Cut-Out Wind Speed	13m/s
MAX WIND SPEED	40m/s
Cut-Out Wind Speed	None
Blade Pitch Control	None, Fixed Pitch
Over speed Protection	Auto Furl and Dump Load
Gearbox	None, Direct Drive
Temperature Range	-40 to +60 Deg. C
Rotor Diameter	3.80 m
Rotor speed	380 rpm
Blade number	3
Blade material	Reinforced fibreglass
Height of tower	9.0 m
Generator	3 phase permanent magnet alternator
Inverter power output	AC 220V, 50HZ
Turbine Weight(kg)	45

## Picture of the grid tie inverter



## Grid-connected inverter specifications

TYPE	JLB-220/3K
Max. AC output Power	3KW
Max.DC Voltage	VDC min. 450V DC
Nominal DC voltage	VDC 200V-410V DC
Efficiency	$\eta_{max} > 92\%$
Voltage ripple	$< 10\%$
Nominal AC output power	2000W AC
Nominal AC Output voltage	220V AC
Operating range utility voltage	210-260V AC
Frequency	50Hz
Operating range utility frequency	$\pm 1\%$
Total HarmonicDistortion (THD)	$< 5\%$
Power factor	$> 0.9$
Utility monitoring	Vac; fac Islanding protection Vac; fac In accordance with ER G83/1.UL 1741.1EEE929
External interfaces	Data transmission via electrically isolated RS232

Internal consumption during stand-by	<3W
Operation Surroundings Temperature	-10C to +40C
Operation Surroundings Humidity	0-90%
Size(WxHxD)	460x110x350mm
Weight	15KG
Waterproof Class	IP22

**Picture of the controller**



**2KW / 220V wind turbine controller technical data:**

Power	3000W
AC input voltage range	0-300V ac
Nominal AC input voltage	240V ac
Load dump	When DC output is arrived 370V, the green "work 1" indicator light shows. When DC output is arrived 400V, the green "work 2" indicator light shows.
DC output voltage range	200-400VDC
Size	310mm*670mm*160mm
Weight	12kg