



StecaGrid 300 and StecaGrid 500

The inverters series comprises the StecaGrid 300 and StecaGrid 500 inverters, with rated outputs of 300 W and 500 W, respectively.

StecaGrid 300 and StecaGrid 500 are built in a modular manner, and simple to install. With distribution over three phases, the system can at any time be expanded as desired, and thus flexibly adapts to your solar power system investment. StecaGrid 300 and StecaGrid 500 have an independent MPP tracker and achieve a very high efficiency of up to 95.8 %.

Product features

- Flexible and expandable
- High efficiency
- MiniString concept
- Low weight
- Simple installation
- Wall-mounting with top-hat rail

Displays

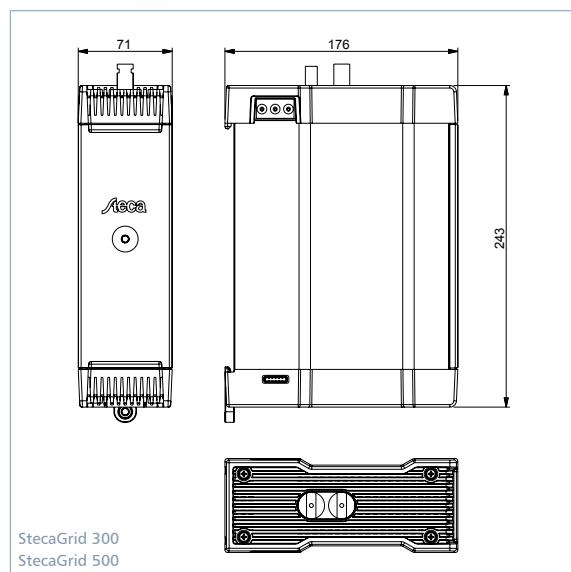
- Multi-coloured LED shows operating status

Options

- United Kingdom variants as per G83 available
- Italy variants available



StecaGrid 300
StecaGrid 500



StecaGrid 300
StecaGrid 500

System monitoring and accessories



StecaGrid Control I1
Monitoring unit



StecaGrid ALD1
Digital energy meter



StecaGrid Remote
Remote display



StecaGrid ENS26
Automatic isolation unit



DC circuit breaker



	StecaGrid 300	StecaGrid 500
DC input side (PV-generator)		
Maximum start voltage	135 V	230 V
Maximum input voltage	135 V	230 V
Minimum input voltage	45 V	
Minimum input voltage for rated output	64 V	106 V
MPP voltage	45 V ... 100 V	75 V ... 170 V
Maximum input current	5 A	
Maximum input power	320 W	530 W
Maximum recommended PV power	375 Wp	625 Wp
Derating / limiting	automatic when - input power is higher - the device is not cooled sufficiently - input currents > 5 A (higher currents are limited by the equipment and therefore will not damage the inverter)	
AC output side (Grid connection)		
Grid voltage	207 V ... 253 V [other values are possible]	
Rated grid voltage	230 V	
Maximum output current	1.5 A	2.5 A
Maximum output power	300 W	500 W
Rated power	300 W	500 W
Rated frequency	50 Hz	
Frequency	48 Hz ... 52 Hz [other values are possible]	
Night-time power loss	< 0.1 W	
Feeding phases	single-phase	
Power factor	> 0.95	
Distortion factor	< 6 % (max. power)	< 5 % (max. power)
Characterisation of the operating performance		
Maximum efficiency	94.8 %	95.8 %
European efficiency	93.4 %	94.5 %
MPP efficiency	99 %	
Power derating at full power	from 40 °C	
Switch-on power	2 W	
Standby power	0 W	
Safety		
Isolation principle	no galvanic isolation, transformerless	
Grid monitoring DE	optional via StecaGrid ENS 26	
Grid monitoring version StecaGrid 300 UK resp. 500 UK	voltage (230 V +/-10 %) frequency (50 Hz +0.5 Hz / -3 Hz)	voltage (230 V +/-10 %) frequency (50 Hz +0.5 Hz / -3 Hz)
Grid monitoring version StecaGrid 300 ES resp. 500 ES	voltage (230 V +10 %/-15 %) frequency (50 Hz +/-1 Hz)	voltage (230 V +10 %/-15 %) frequency (50 Hz +/-1 Hz)
Grid monitoring version StecaGrid 300 IT resp. 500 IT	voltage (230 V +/-20 %) frequency (50 Hz +/-0.3 Hz)	voltage (230 V +/-20 %) frequency (50 Hz +/-0.3 Hz)
Operating conditions		
Area of application	indoor rooms, with or without air conditioning	
Ambient temperature	-20 °C ... +45 °C	
Relative humidity	0 % ... 95 %	
Noise emission	< 32 dBA	
Fitting and construction		
Degree of protection	IP 20	
DC Input side connection	Multi-Contact MC 3, MC 4	
AC output side connection	Wieland Electric GST 18i3V plug	
Dimensions (X x Y x Z)	176 x 243 x 71 mm	
Weight	1.4 kg	
Integrated DC circuit breaker	no	
Cooling principle	natural convection	
Test certificate	CE mark, DK 5940, G83	